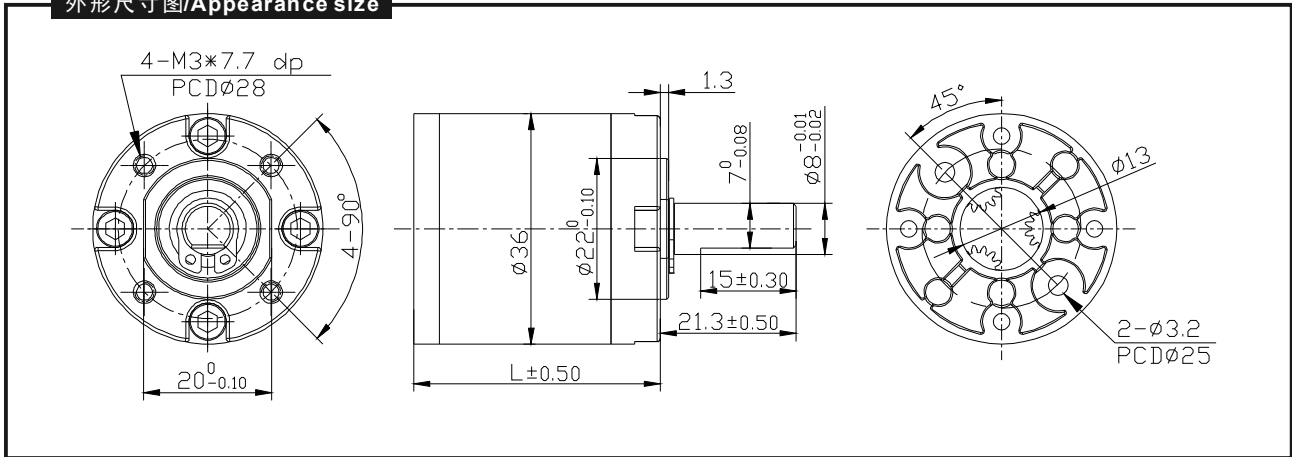


# PG36

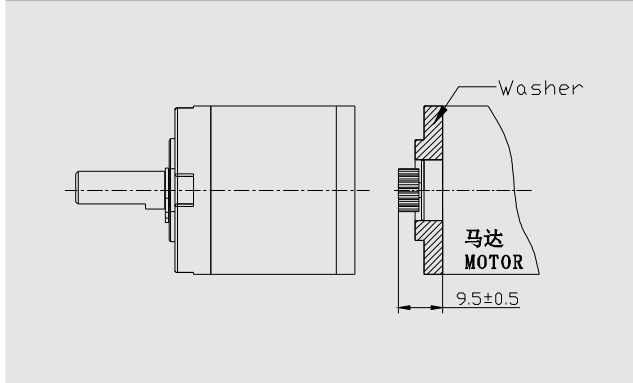


- Note:
- 1、外壳材质(Housing material) : metal
  - 2、背隙, 无负荷时 (Backlash, at no-load) :  $\leq 1.2^\circ$
  - 3、轴承型号 (Bearing at output) : ball bearings
  - 4、径向间隙 (Radial play of shaft) :  $\leq 0.05\text{mm}$
  - 5、轴向间隙 (Thrust play shaft) :  $\leq 0.3\text{mm}$
  - 6、齿轮箱适用于RS-528,RS-545,RS-555,36ZY马达。  
(The gear box can apply to RS-528,RS-545,RS-555,36ZY motors.)
  - 7、警告: 齿轮箱齿轮极限扭矩 (损毁扭矩) 150kgf.cm。当使用低转速、高速比时, 尽量请选用低功率电机, 使用时请做好保护措施。  
(Attention: The breaking torque of the gear box is 150kgf.cm. When the motors using at low speed, high gear ratio, please choose low power motors, and do protection measurements.)

**外形尺寸图/Appearance size**



**马达装卸方法/Motor Installation**



**马达齿轮参数/Pinion Specifications**

模数 Module	0.5	0.5
齿数 NO. of teeth	11	17
压力角 Pressure angle	20°	
孔径 Hole diameter	$\phi 1.98, \phi 2.28, \phi 3.14$	
减速比 Reduction ratio	5.2, 26.9, 139, 516, 721, 2672, 3736,	3.7, 13.7, 19.2, 50.9, 99.5, 188, 264, 369, 699, 977, 1367, 1911

使用温度范围/Operating temperature range:  $-10^\circ\text{C} \sim +60^\circ\text{C}$

使用相对湿度/Operating relative humidity: 20%~85%RH

**标准减速比参数/Gearboxes Specifications**

减速比 Reduction ratio	精确减速比 Reduction absolute	额定允许扭力 Rated tolerance torque	极限扭矩 Max breaking torque	效率 Efficiency	级数 Number of stages	齿轮箱长度 Gearbox length "L" mm
3.7, 5.2	312/17, 52/11	10.0kgf·cm	30.0kgf·cm	90%	1	25.1
13.7, 19.2, 26.9	13212/289, 1938/187, 26103/121	20.0kgf·cm	60.0kgf·cm	81%	2	32.3
50.9, 71.2, 99.5, 139	504397/4913, 71524/3179, 991044/2057, 139184/1331	50.0kgf·cm	150.0kgf·cm	73%	3	38.5
188, 264, 369, 516, 721	188.611, 263.729, 368.763, 515.630, 720.989	50.0kgf·cm	150.0kgf·cm	65%	4	44.7
699, 977, 1367, 1911, 2672, 3736	698.969, 977.347, 1366.593, 1910.864, 2671.901, 3736.034	50.0kgf·cm	150.0kgf·cm	59%	5	50.9